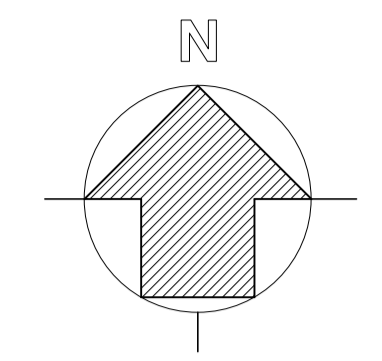
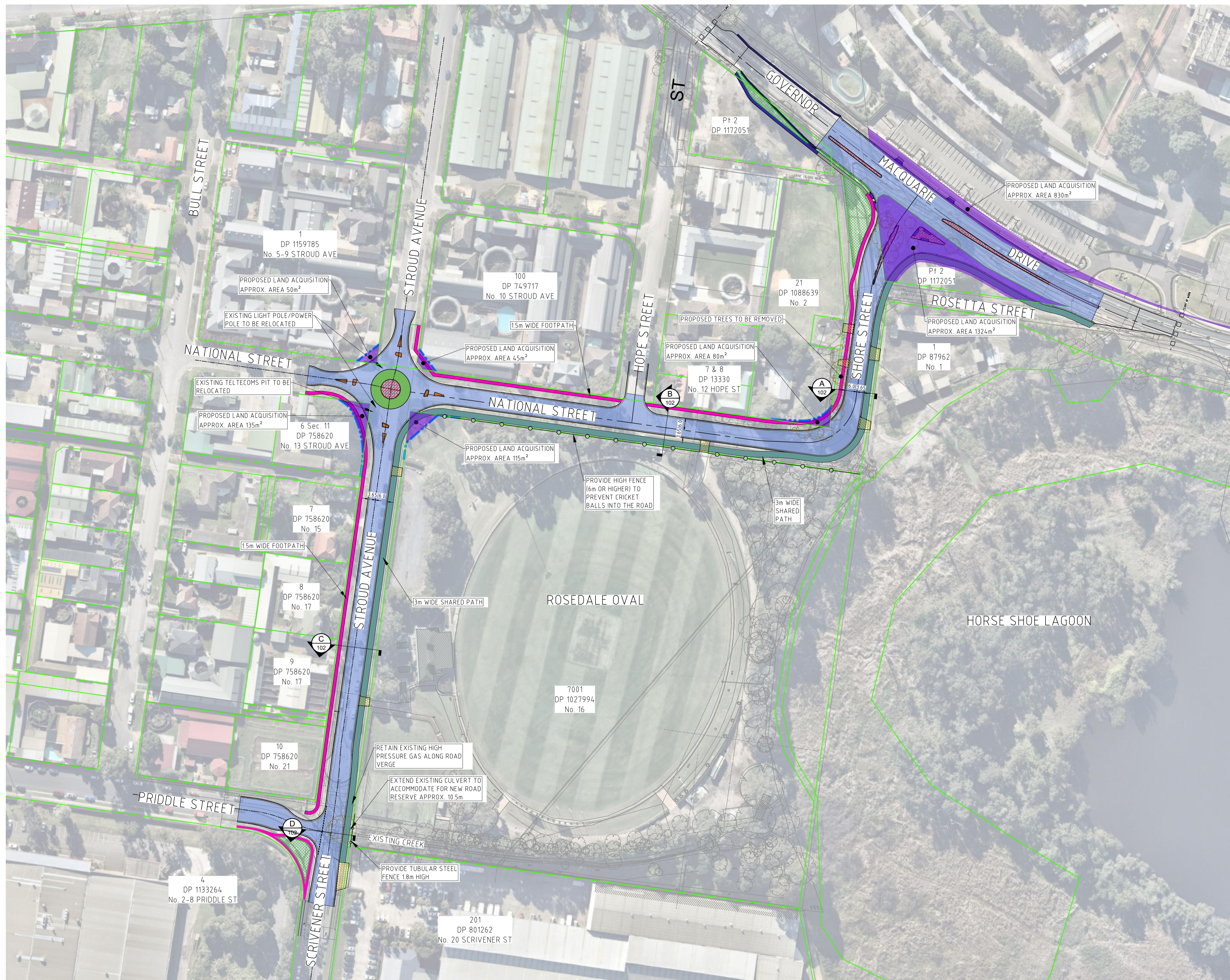


File: C:\Users\jpl\_1\OneDrive - Liverpool City Council\Working\Strategic Concept Drawings\052020\_035 Manning Street Bypass Rd Concept.dwg

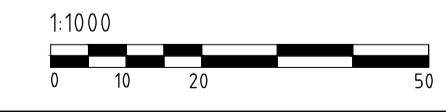


- LEGEND:**
- PROPERTY BOUNDARY
  - PROPOSED BOUNDARY
  - CONSTRUCT KERB & GUTTER  
REFER TO LCC STD DWG R2 & R23
  - ROAD PAVEMENT
  - CONSTRUCT 3.0m WIDE CONCRETE SHARED  
PATHS REFER TO LCC STD DWG R23 & R23A
  - CONSTRUCT 1.5m WIDE CONCRETE FOOTPATH  
REFER TO LCC STD DWG R23
  - CONSTRUCT CONCRETE DRIVEWAY  
REFER TO LCC STD DWG R25
  - CONSTRUCT STENCILED CONCRETE ISLANDS  
AND ROUNDABOUT ANNULUS REFER TO DETAILS
  - PROPOSED LAND ACQUISITION

- NOTES:**
1. ALL UNDERGROUND SERVICES' LOCATIONS AND DEPTHS TO BE CONFIRMED BEFORE CONSTRUCTION.
  2. UNDERGROUND SERVICES TO BE RELOCATED OR LOWERED IF CLASHED DETECTED OR INADEQUATE DEPTH.
  3. ADJUST SERVICE PIT COVERS TO MATCH THE DESIGN SURFACES AS REQUIRED.
  4. ALL OBSTRUCTIVE TREES TO BE REMOVED AS REQUIRED.

REFER TO SHEET 102 FOR ROAD  
TYPICAL SECTIONS

**CAUTION!**  
UNDER GROUND  
SERVICES IN VICINITY



ISSUE	DATE	REASON FOR ISSUE	DRAWN	SIGNED	APPROV	OWNER
A	JULY 2020	CONCEPT				

**LIVERPOOL CITY COUNCIL INVESTIGATIONS & DESIGN**

3 HOXTON PARK ROAD, LIVERPOOL, NSW 2170  
Ph 1300 36 2170 Fax (02) 9821 9333

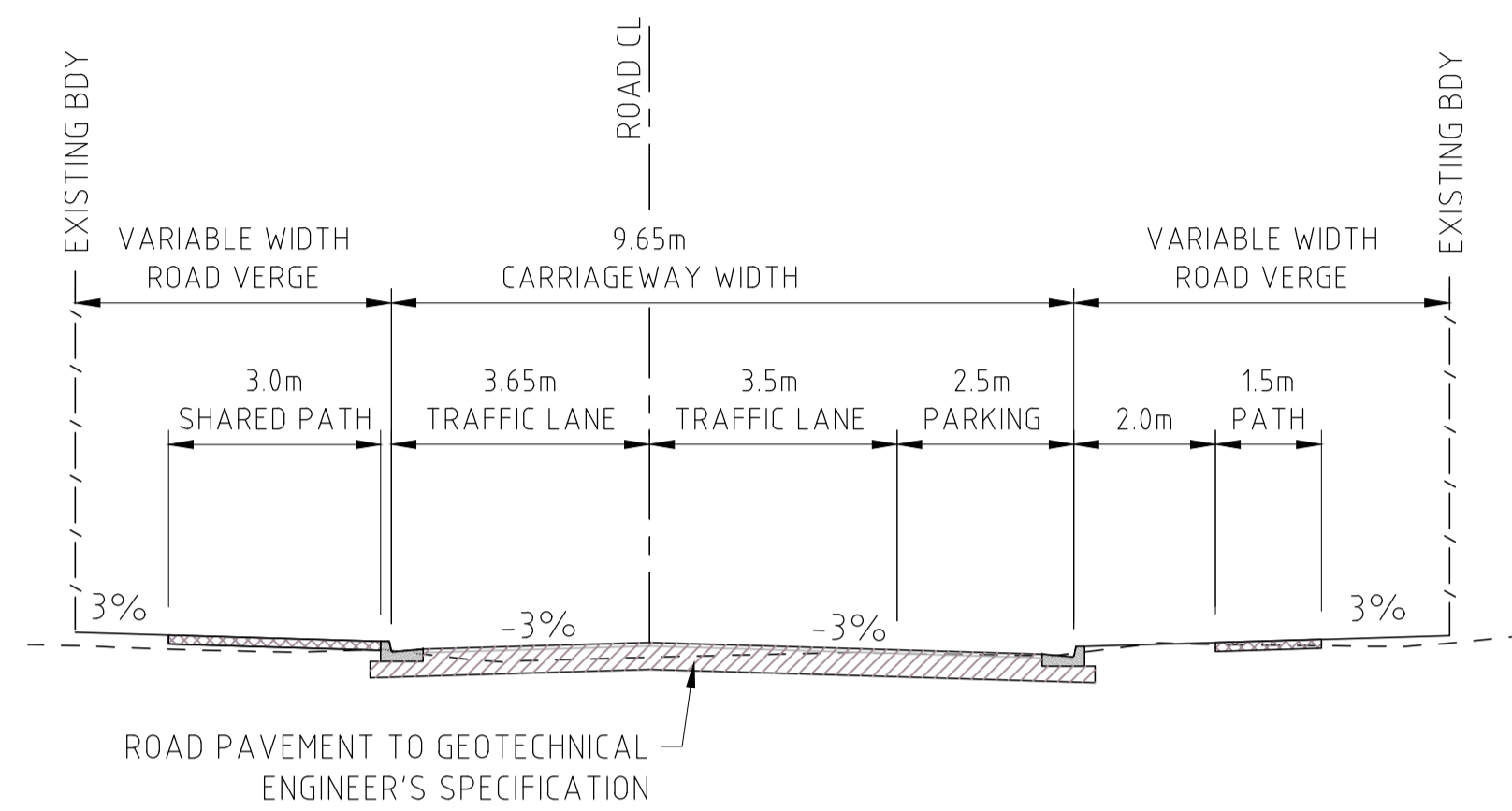
**STRATEGIC CONCEPT DESIGN**

SURVEYED DM./G.B. DATE 07/20	DATUM A.H.D./M.G.A.
DESIGNED NF DATE JULY 2020	CHECKED B.P DATE JULY 2020
DRAWN	CAD FILE
DATE JULY 2020	XREF:

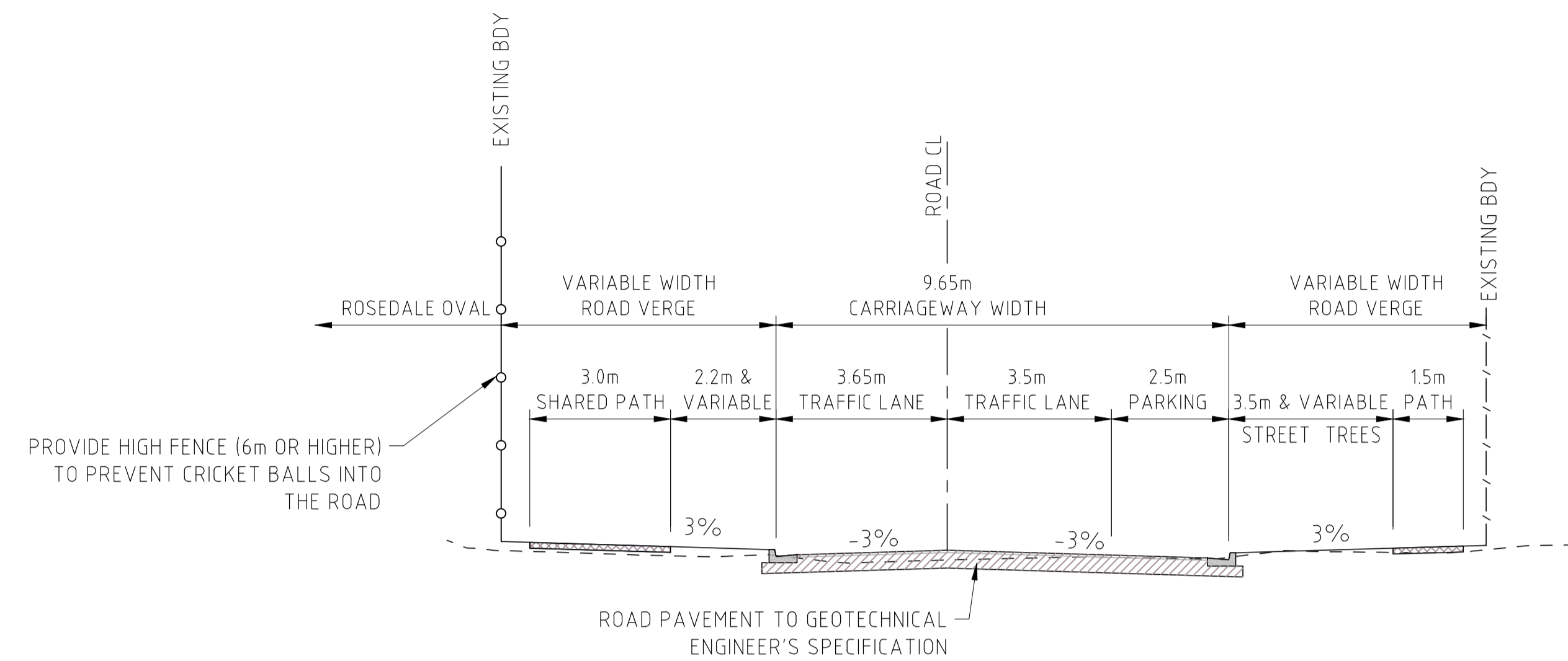
DRAWING TITLE	
MANNING STREET BYPASS ROAD, WARWICK FARM SHORE STREET, NATIONAL STREET, STROUD AVENUE, SCRIVENER STREET GENERAL ARRANGEMENT PLAN	

JOB No 2020/035	DWG No 101
SCALE AS SHOWN 1:1000	ISSUE No A
	CONTRACT No

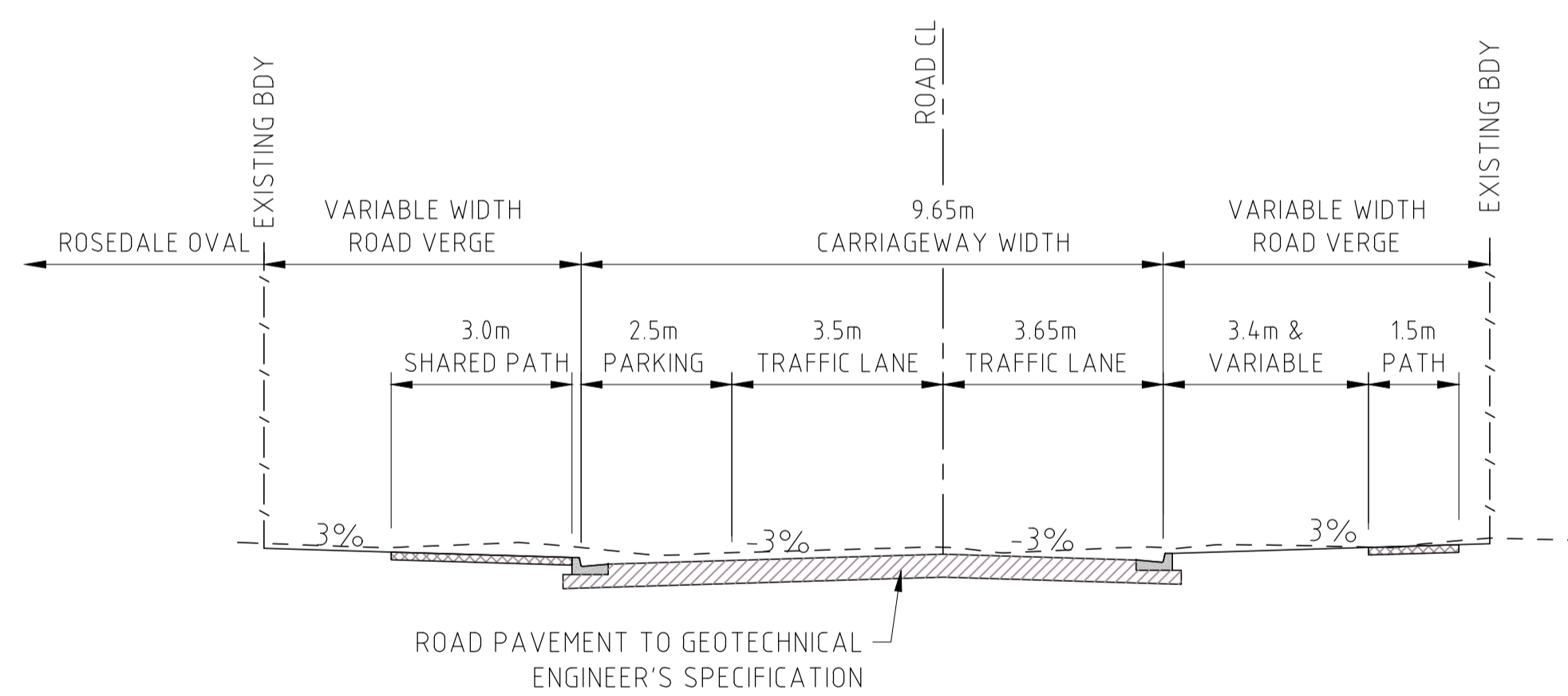
File: C:\Users\jpl\_1\OneDrive - Liverpool City Council\Manning Street Bypass Road\2020\_035\_Manning Street Bypass Road\Concept Drawings\0352020\_035 Manning Street Bypass Rd Concept.dwg



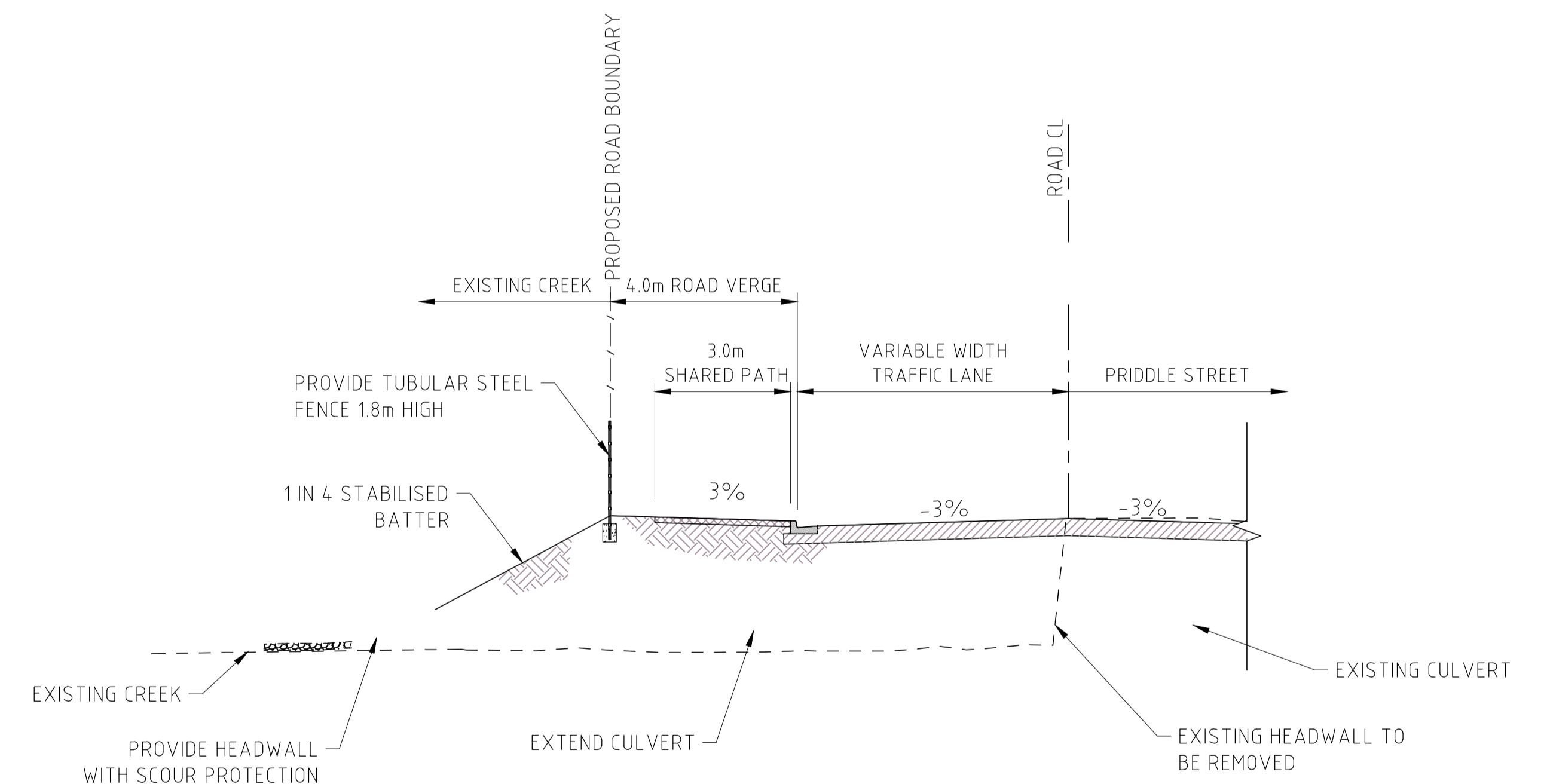
TYPICAL ROAD SECTION A  
SCALE 1:100



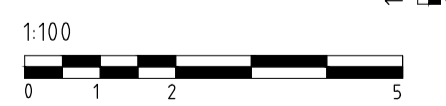
TYPICAL ROAD SECTION B  
SCALE 1:100



TYPICAL ROAD SECTION C  
SCALE 1:100



TYPICAL ROAD SECTION D  
SCALE 1:100



ISSUE	DATE	REASON FOR ISSUE	DRAWN	SIGNED	APPROV	OWNER
A	JULY 2020	CONCEPT				

**LIVERPOOL CITY COUNCIL INVESTIGATIONS & DESIGN**  
 3 HOXTON PARK ROAD, LIVERPOOL, NSW 2170  
 Ph 1300 36 2170 Fax (02) 9821 9333

**STRATEGIC CONCEPT DESIGN**

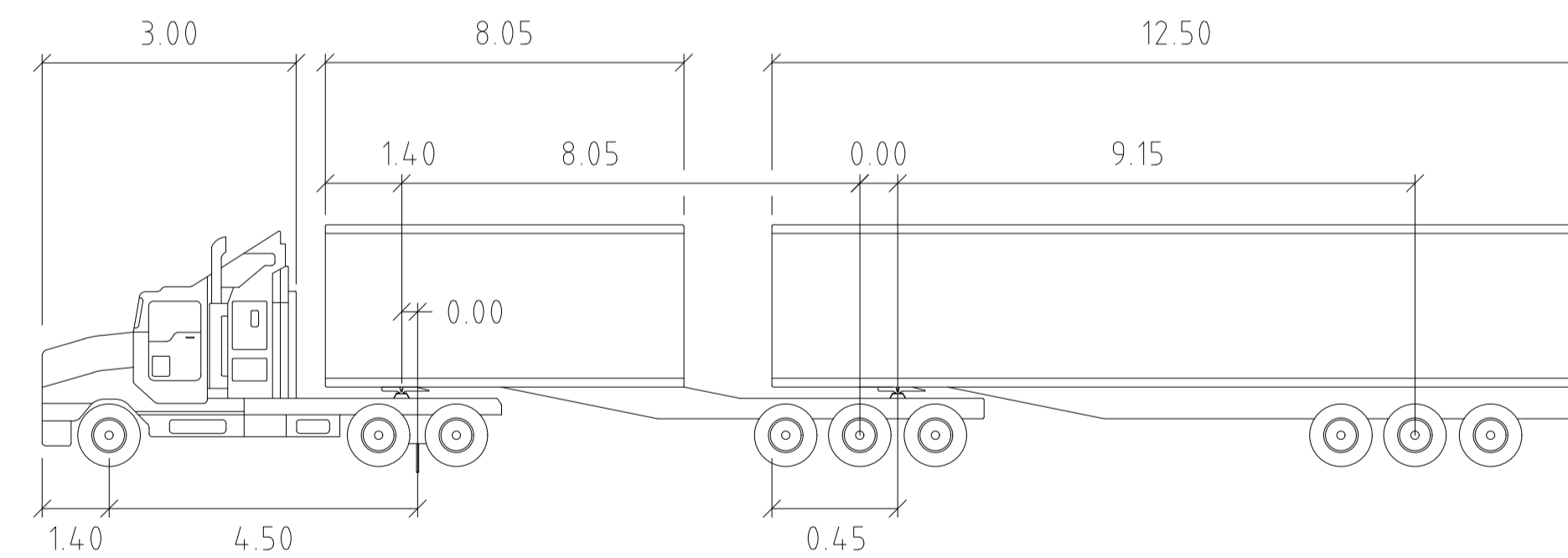
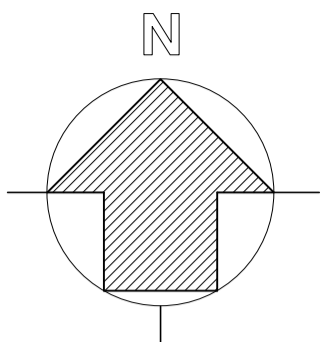
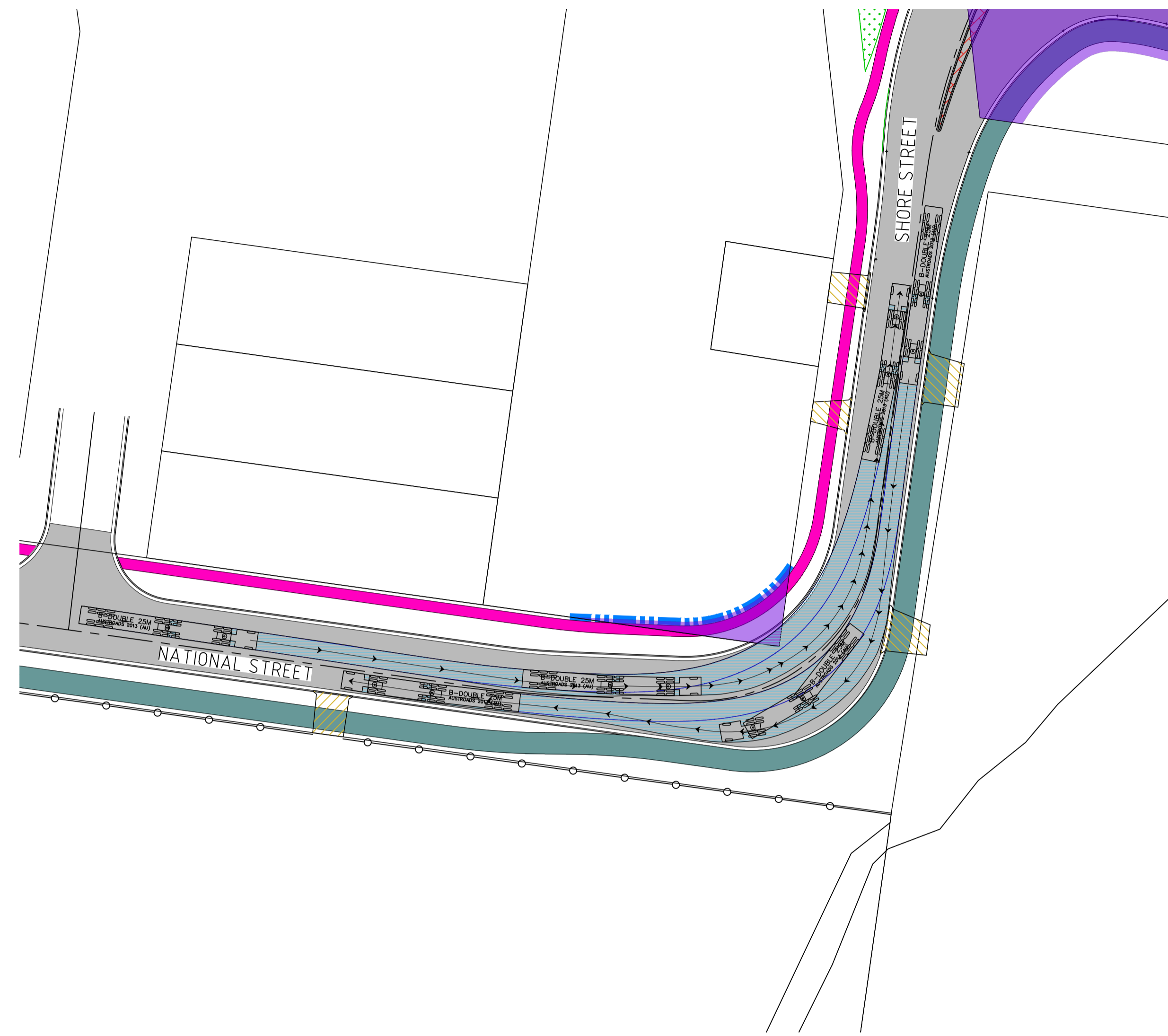
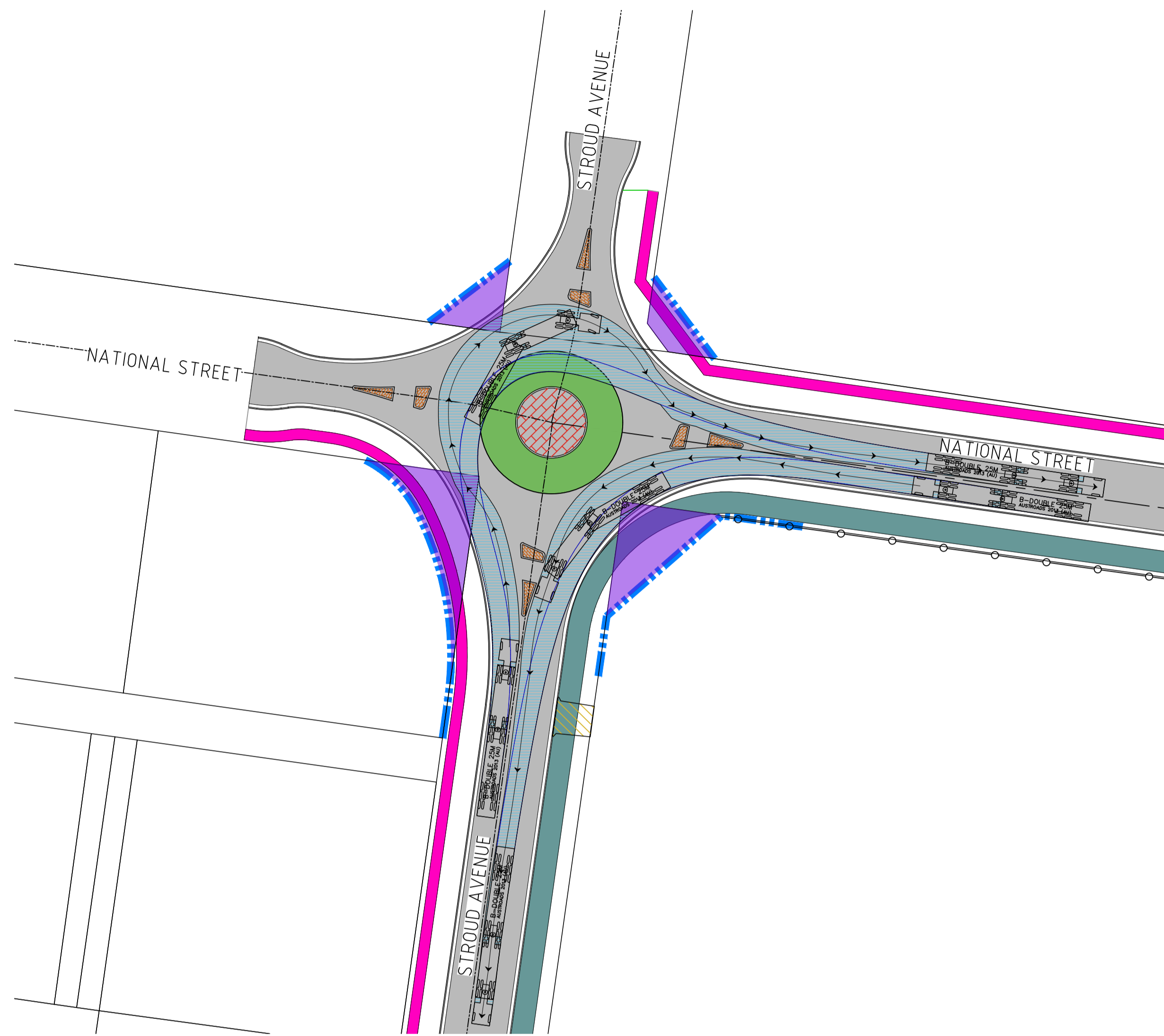
SURVEYED DM./G.B. DATE 07.20	DATUM A.H.D./M.G.A.
DESIGNED NF DATE JULY 2020	CHECKED B.P. DATE JULY 2020
DRAWN	CAD FILE
DATE JULY 2020	XREF.

DRAWING TITLE <b>MANNING STREET BYPASS ROAD, WARWICK FARM</b> SHORE STREET, NATIONAL STREET, STROUD AVENUE, SCRIVENER STREET TYPICAL ROAD CROSS SECTIONS
--

JOB No 2020/035	DWG No 102
SCALES AS SHOWN 1:100	ISSUE No A
	CONTRACT No

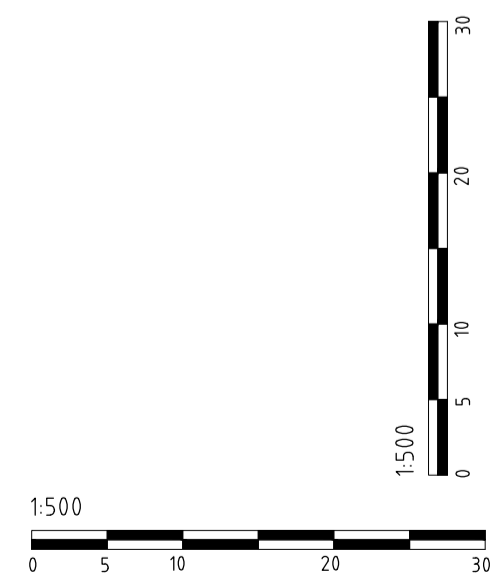
File: C:\Users\jnt\_1\OneDrive - Liverpool City Council\Manning Street Bypass Road\2020\_035\_Manning Street Bypass Road\Warwick Farm\Artec\Concept Drawings\052020\_035 Manning Street Bypass Rd CONCEPT.dwg

Printed: 3/08/2020 12:33:48 PM



B-DOUBLE 26M

	meters		
Tractor Width	: 2.50	Lock to Lock Time	: 6.0
Trailer Width	: 2.50	Steering Angle	: 23.4
Tractor Track	: 2.50	Articulating Angle	: 70.0
Trailer Track	: 2.50		



ISSUE	DATE	REASON FOR ISSUE	DRAWN	SIGNED	APPROV	OWNER
A	JULY 2020	CONCEPT				

**LIVERPOOL CITY COUNCIL INVESTIGATIONS & DESIGN**  
 3 HOXTON PARK ROAD, LIVERPOOL, NSW 2170  
 Ph 1300 36 2170 Fax (02) 9821 9333

**STRATEGIC CONCEPT DESIGN**

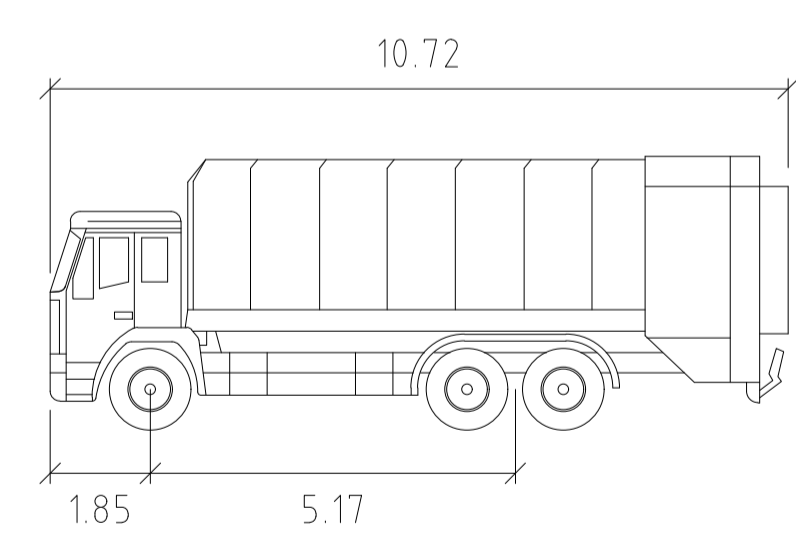
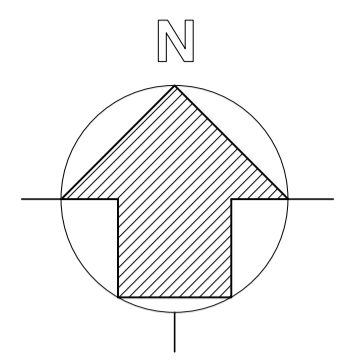
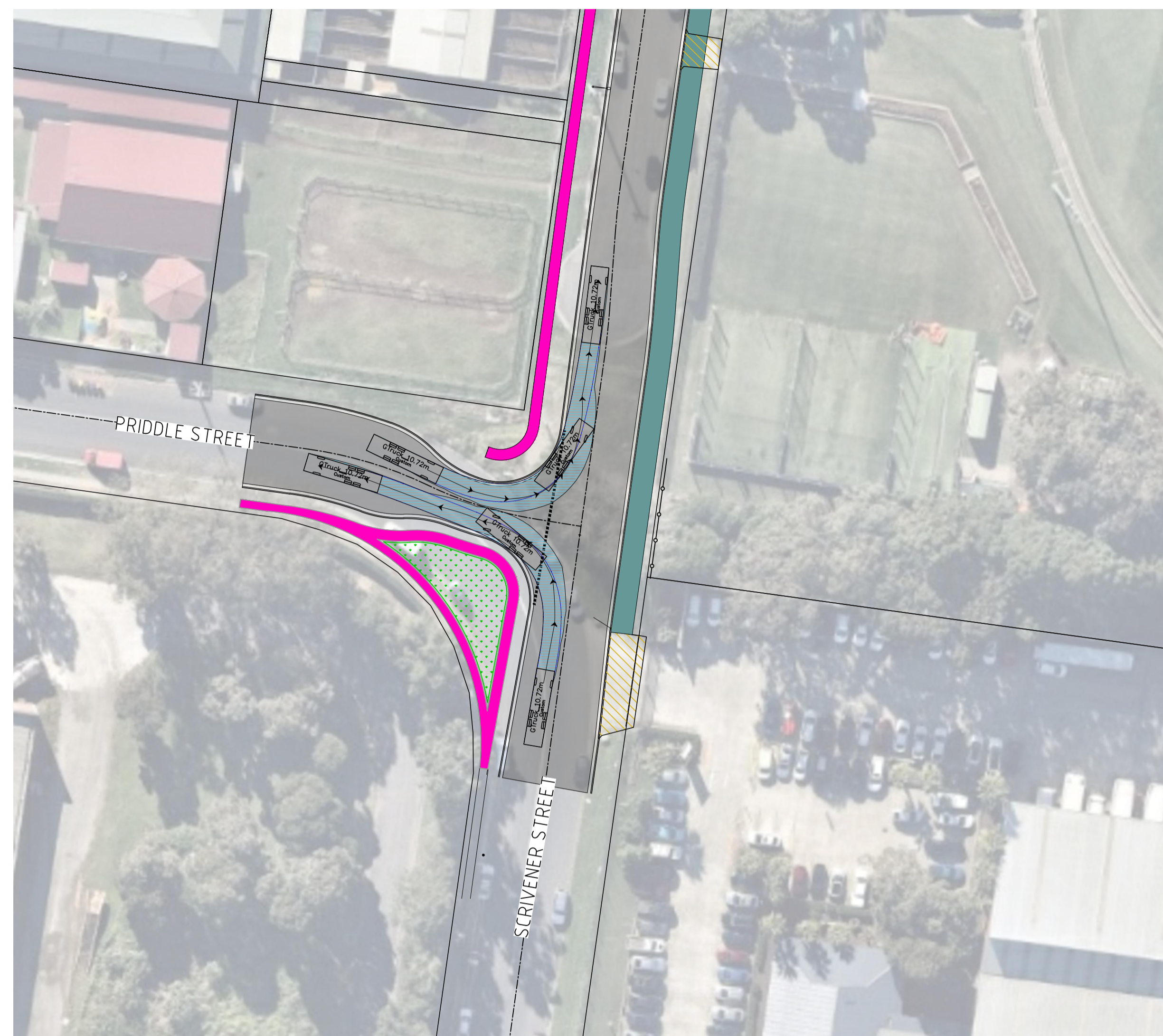
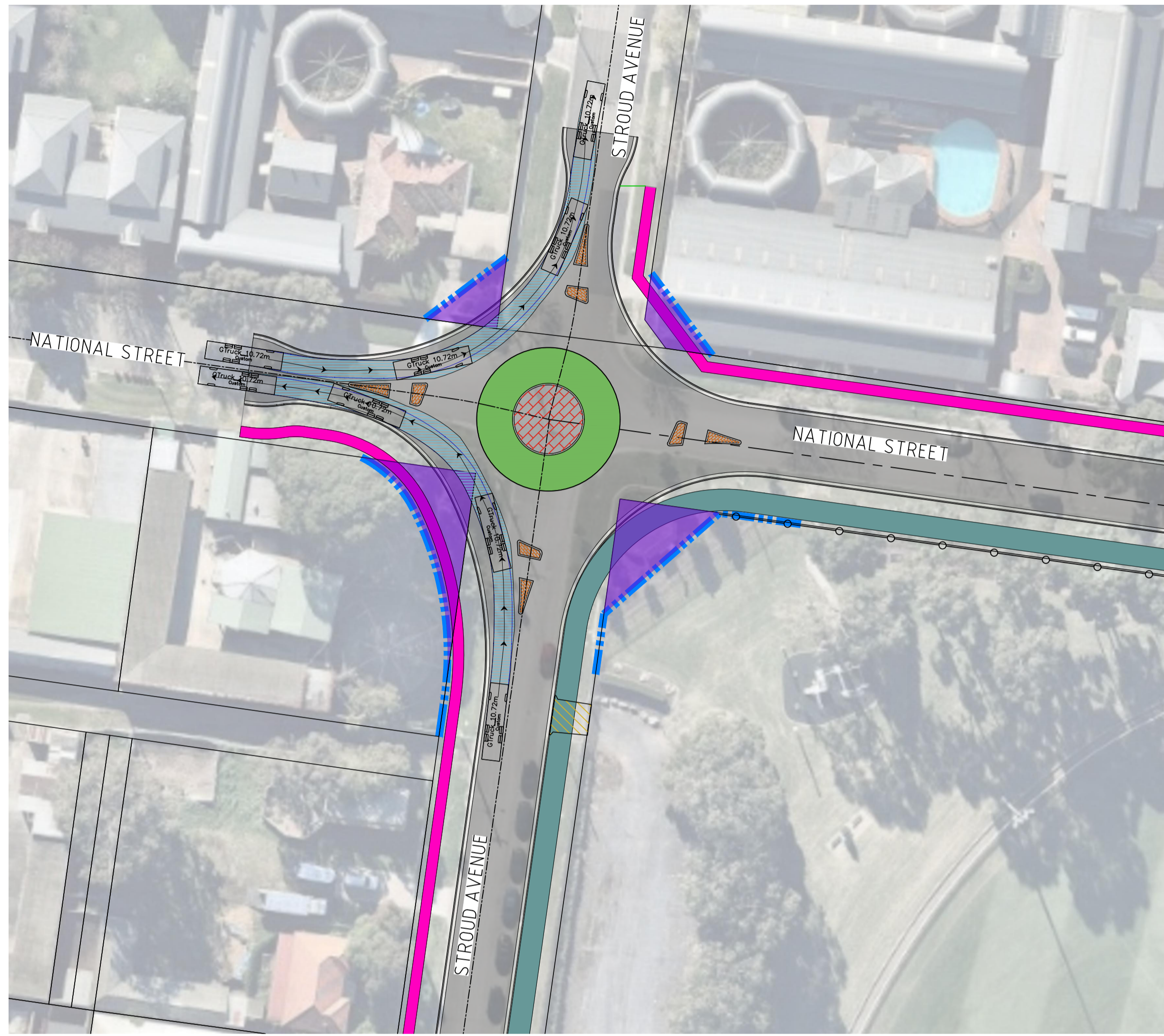
SURVEYED DM./G.B.	DATUM A.H.D./M.G.A.
DATE 07.20	
DESIGNED NF	CHECKED B.P.
DATE JULY 2020	DATE JULY 2020
DRAWN	CAD FILE
DATE JULY 2020	XREF.

DRAWING TITLE
MANNING STREET BYPASS ROAD, WARWICK FARM SHORE STREET, NATIONAL STREET, STROUD AVENUE, SCRIVENER STREET SWEEP PATH - B DOUBLE

JOB No 2020/035	DWG No 103
ISSUE No A	CONTRACT No
SCALES AS SHOWN	

File: C:\Users\jpl\_1\OneDrive - Liverpool City Council\My Documents\Concept Drawings\052020\_035\_Manning Street Bypass Rd CONCEPT.dwg

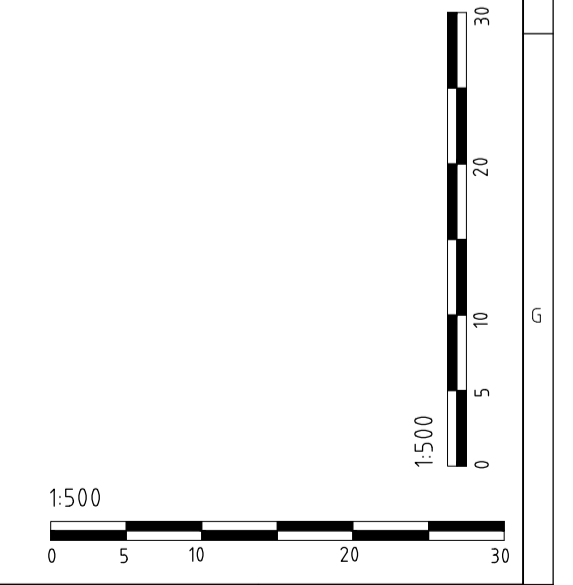
Printed: 3/08/2020 12:23:28 PM



GTruck 10.72m

meters

Width : 2.50  
 Track : 2.50  
 Lock to Lock Time : 6.0  
 Steering Angle : 30.1



DATE OF COMPLETION	COORDINATOR INVESTIGATIONS & DESIGN					
DATE OF RELEASE	MANAGER-TECHNICAL SUPPORT					
DATE OF ACCEPTANCE	PROJECT ENGINEER					
DATE OF RELEASE	MANAGER - INFRASTRUCTURE & DELIVERY					
ISSUE	DATE	REASON FOR ISSUE	DRAWN	SIGNED	APPROV	OWNER
A	JULY 2020	CONCEPT				

**LIVERPOOL CITY COUNCIL INVESTIGATIONS & DESIGN**

3 HOXTON PARK ROAD, LIVERPOOL, NSW 2170  
 Ph 1300 36 2170 Fax (02) 9821 9333

**STRATEGIC CONCEPT DESIGN**

SURVEYED	DM./G.B.	DATUM	A.H.D./M.G.A.
DATE	07.20	CHECKED	B.P
DESIGNED	NF	DATE	JULY 2020
DATE	JULY 2020	DRAWN	CAD FILE
DATE	JULY 2020	XREF:	

DRAWING TITLE

**MANNING STREET BYPASS ROAD, WARWICK FARM**

SHORE STREET, NATIONAL STREET,  
 STROUD AVENUE, SCRIVENER STREET  
 SWEEP PATH - GARBAGE TRUCK

JOB No	DWG No
2020/035	104
SCALES	ISSUE No
AS SHOWN	A
	CONTRACT No